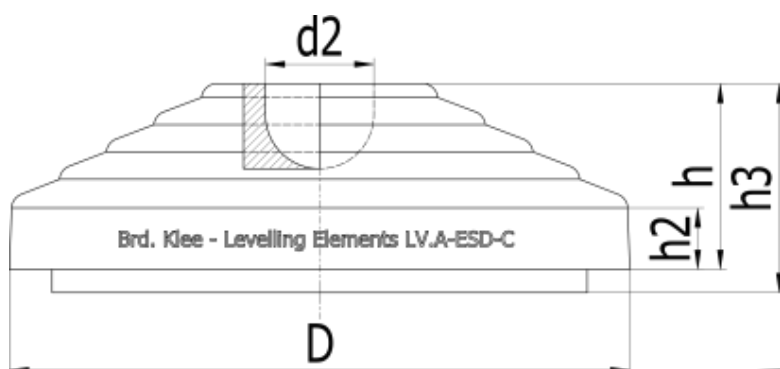


Article number: 2310301251ESD

Description: E+G Antistatic base for levelling elements  
LV.A-80-14-ESD-C

## Measures



D	= 80
d2	= 14
h	= 24
h2	= 9
h3	= 27
N	= 16000
Weight in g	= 53